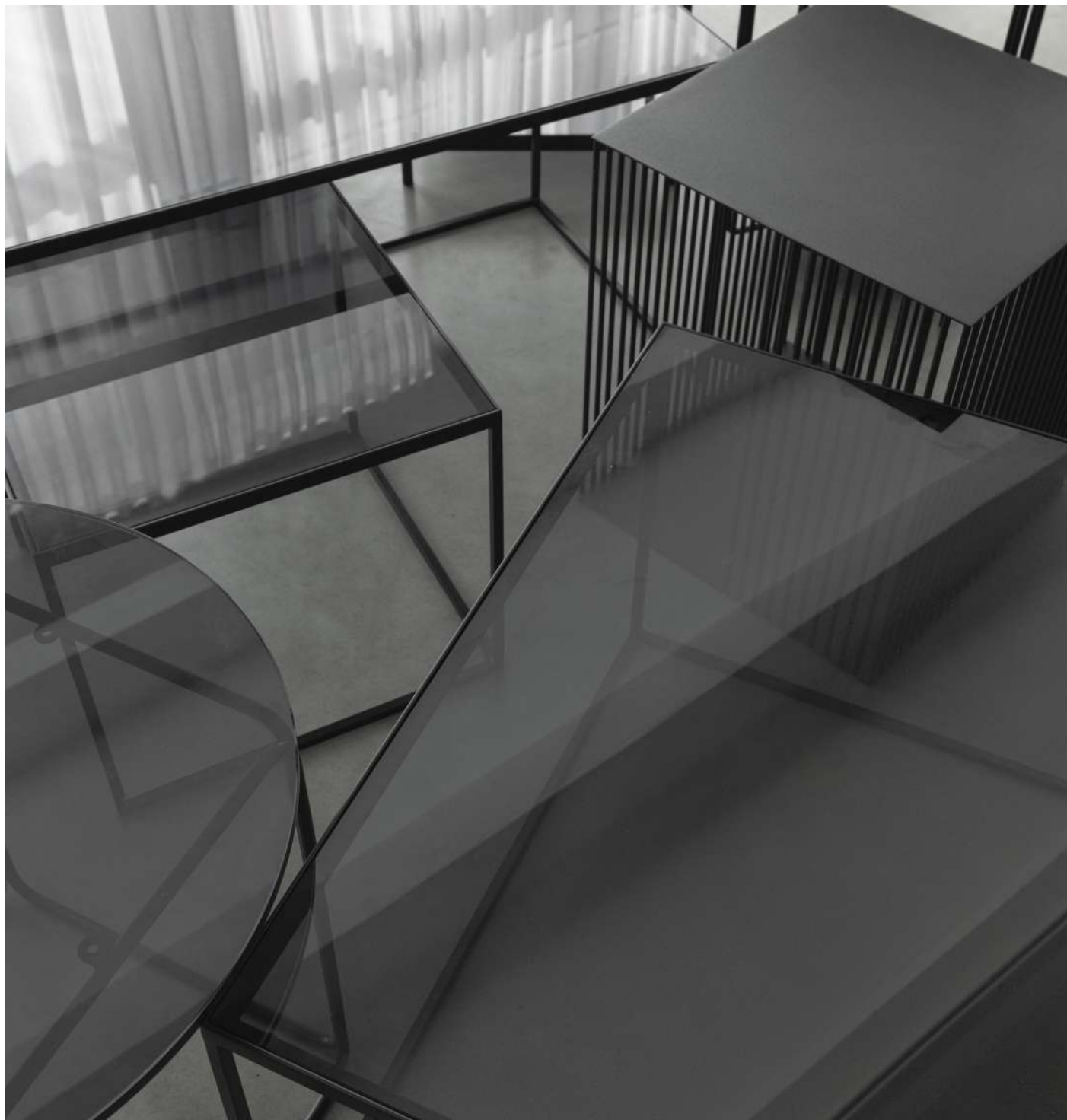


# TABLE

by BÖTTCHER & KAYSER



VILMERS  
[vilmers.com](http://vilmers.com)

# CARAT

by BÖTTCHER & KAYSER



VILMERS  
[vilmers.com](http://vilmers.com)

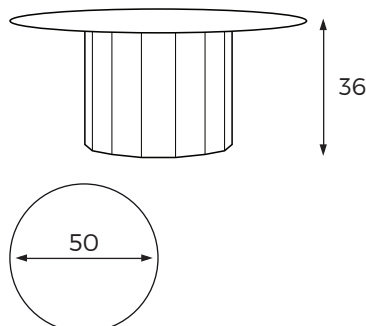
**CARAT** is a series of side table in four different heights and sizes. Its base consists of a faceted cylinder on which rests a fine circular plate. Especially in groups and different sizes, the design impresses with its modern clarity and creates different levels that can also overlap. CARAT is made of metal and is available in black and white.

## TECHNICAL DATA



**Example:** Black metal

### MEASUREMENTS



### COLOR / CODES



Frame and top - Black metal  
**CARAT-001**

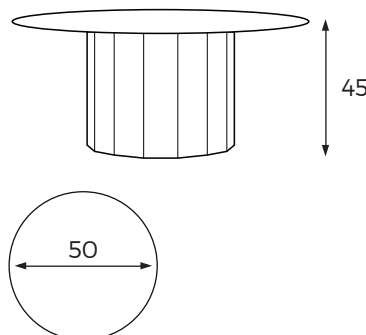


Frame and top - White metal  
**CARAT-005**



**Example:** Black metal

### MEASUREMENTS



### COLOR / CODES



Frame and top - Black metal  
**CARAT-002**

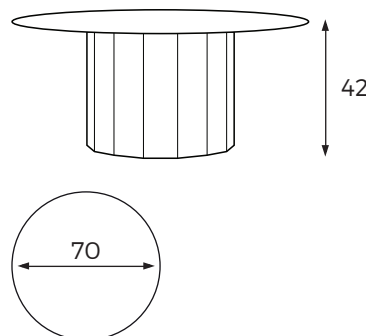


Frame and top - White metal  
**CARAT-006**



**Example:** Black metal

### MEASUREMENTS



### COLOR / CODES



Frame and top - Black metal  
**CARAT-003**

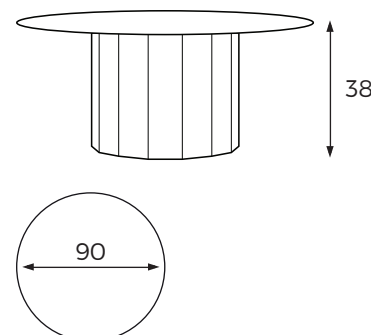


Frame and top - White metal  
**CARAT-007**



**Example:** Black metal

### MEASUREMENTS



### COLOR / CODES



Frame and top - Black metal  
**CARAT-004**



Frame and top - White metal  
**CARAT-008**

# CARRY

by BÖTTCHER & KAYSER



VILMERS  
vilmers.com

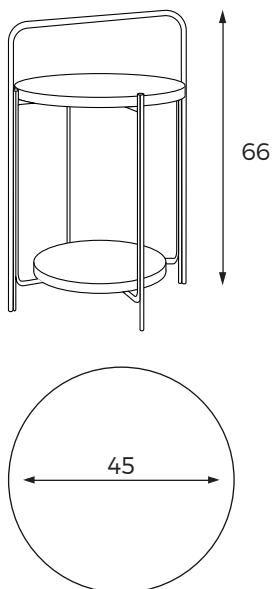
CARRY is a series of table with a filigree appearance, characterized by a fine structure and radii of great lightness. The fine, doubled metal structure supports two circular table tops in different levels. The upper plate is floatingly framed. The lower top is supported by the internal frame. The detail of the internal radii gives CARRY this formal softness in graphic appearance. CARRY is available in four different sizes with black metal frame and in three different tops - Black oak, black glass and marble.

## TECHNICAL DATA



**Example:** Frame - Black metal, Top - Black oak

### MEASUREMENTS



### COLOR / CODES



Frame - Black metal +  
Top - Black oak  
**CARRY-004**



Frame - Black metal +  
Top - Black glass  
**CARRY-011**

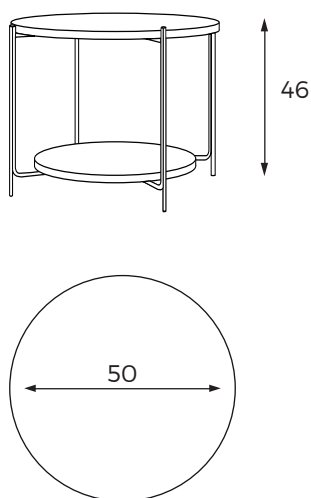


Frame - Black metal +  
Top - White marble  
**CARRY-012**



**Example:** Frame - Black metal, Top - Black oak

### MEASUREMENTS



### COLOR / CODES



Frame - Black metal +  
Top - Black oak  
**CARRY-001**



Frame - Black metal +  
Top - Black glass  
**CARRY-005**



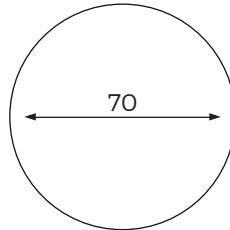
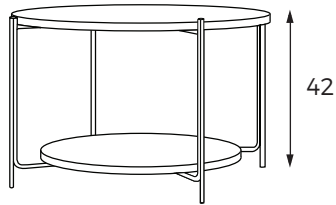
Frame - Black metal +  
Top - White marble  
**CARRY-006**

## TECHNICAL DATA



**Example:** Frame - Black metal, Top - Black oak

### MEASUREMENTS



### COLOR / CODES



Frame - Black metal +  
Top - Black oak  
**CARRY-002**



Frame - Black metal +  
Top - Black glass  
**CARRY-007**

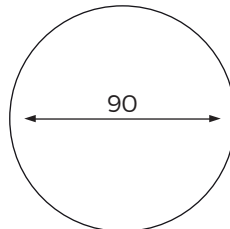
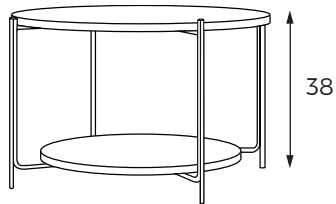


Frame - Black metal +  
Top - White marble  
**CARRY-008**



**Example:** Frame - Black metal, Top - Black oak

### MEASUREMENTS



### COLOR / CODES



Frame - Black metal +  
Top - Black oak  
**CARRY-003**



Frame - Black metal +  
Top - Black glass  
**CARRY-009**



Frame - Black metal +  
Top - White marble  
**CARRY-010**

# FORMAT

by BÖTTCHER & KAYSER



VILMERS  
vilmers.com



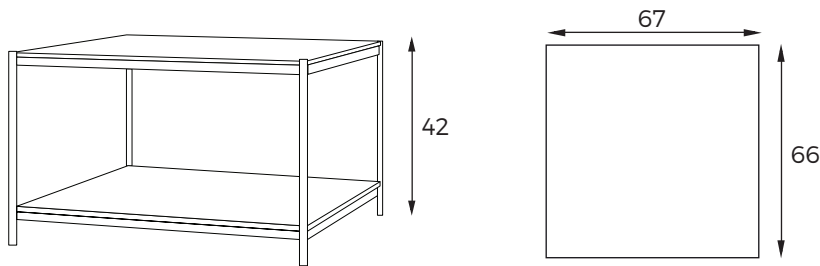
**FORMAT** side table is a very elegant and timeless family of tables with two levels in very formats of the table tops, that gives the table three complete different designs. The connecting element is the frame in three sizes. The upper and lower table tops lie in it, with three different, geometric table top formats to choose from. Available are the circular table top, the oblong table top and the square table top. These give the table its three different shapes and characters. The tables are available in black frame with matching table tops: Black oak, White marble and black glass.

## TECHNICAL DATA



**Example:** Frame - Black metal, Top - Black glass.

### MEASUREMENTS



### COLOR / CODES



Frame - Black metal +  
Top - Black glass  
**FORMAT-007**



Frame - Black metal +  
Top - Black oak  
**FORMAT-016**

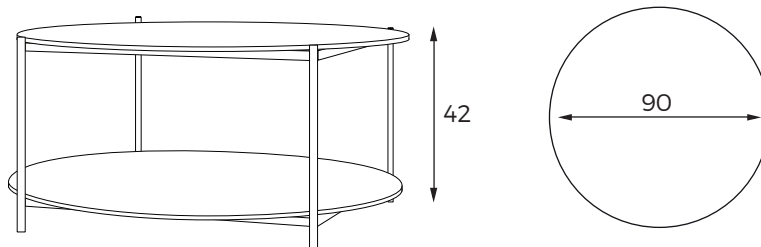


Frame - Black metal +  
Top - White marble  
**FORMAT-026**



**Example:** Frame - Black metal, Top - Black glass.

### MEASUREMENTS



### COLOR / CODES



Frame - Black metal +  
Top - Black glass  
**FORMAT-008**



Frame - Black metal +  
Top - Black oak  
**FORMAT-017**



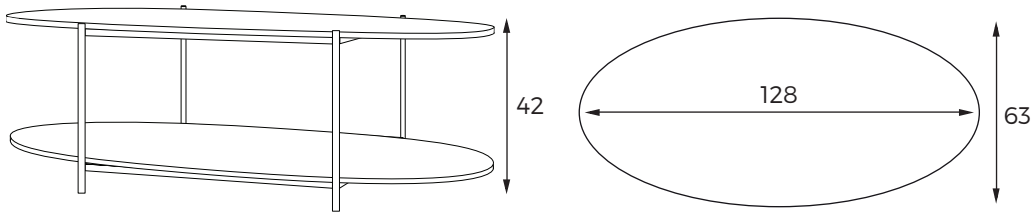
Frame - Black metal +  
Top - White marble  
**FORMAT-024**

## TECHNICAL DATA



**Example:** Frame - Black metal, Top - Black glass.

### MEASUREMENTS



### COLOR / CODES



Frame - Black metal +  
Top - Black glass  
**FORMAT-009**



Frame - Black metal +  
Top - Black oak  
**FORMAT-018**

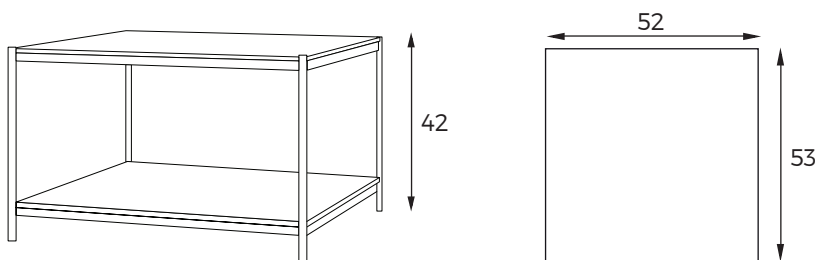


Frame - Black metal +  
Top - White marble  
**FORMAT-025**



**Example:** Frame - Black metal, Top - Black glass.

### MEASUREMENTS



### COLOR / CODES



Frame - Black metal +  
Top - Black glass  
**FORMAT-004**



Frame - Black metal +  
Top - Black oak  
**FORMAT-013**



Frame - Black metal +  
Top - White marble  
**FORMAT-021**

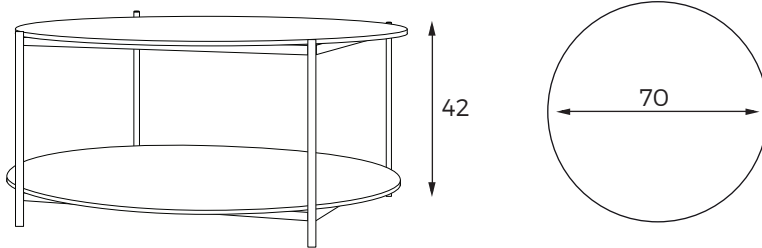


## TECHNICAL DATA



**Example:** Frame - Black metal, Top - Black glass.

### MEASUREMENTS



### COLOR / CODES



Frame - Black metal +  
Top - Black glass  
**FORMAT-005**



Frame - Black metal +  
Top - Black oak  
**FORMAT-014**

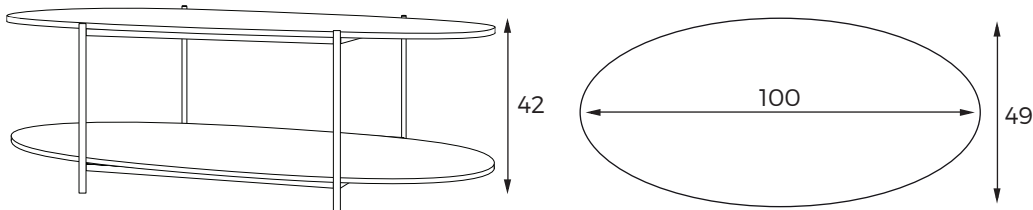


Frame - Black metal +  
Top - White marble  
**FORMAT-022**



**Example:** Frame - Black metal, Top - Black glass.

### MEASUREMENTS



### COLOR / CODES



Frame - Black metal +  
Top - Black glass  
**FORMAT-006**



Frame - Black metal +  
Top - Black oak  
**FORMAT-015**



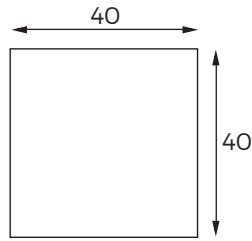
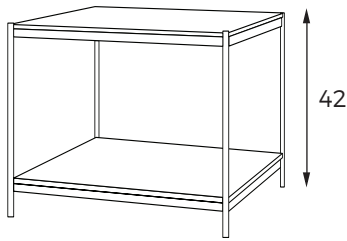
Frame - Black metal +  
Top - White marble  
**FORMAT-023**

## TECHNICAL DATA



**Example:** Frame - Black metal, Top - Black glass.

### MEASUREMENTS



### COLOR / CODES



Frame - Black metal +  
Top - Black glass  
**FORMAT-001**



Frame - Black metal +  
Top - Black oak  
**FORMAT-010**

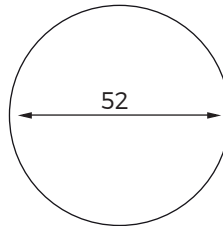
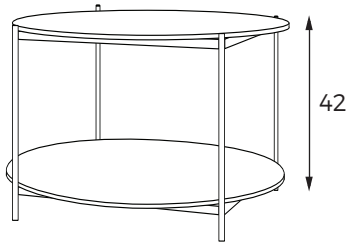


Frame - Black metal +  
Top - White marble  
**FORMAT-027**



**Example:** Frame - Black metal, Top - Black glass.

### MEASUREMENTS



### COLOR / CODES



Frame - Black metal +  
Top - Black glass  
**FORMAT-002**



Frame - Black metal +  
Top - Black oak  
**FORMAT-011**



Frame - Black metal +  
Top - White marble  
**FORMAT-019**

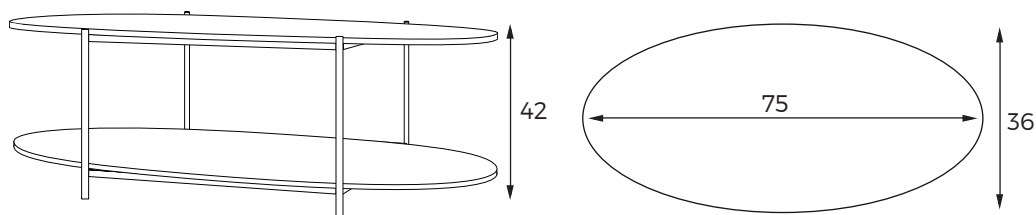


## TECHNICAL DATA



**Example:** Frame - Black metal, Top - Black glass.

### MEASUREMENTS



### COLOR / CODES



Frame - Black metal +  
Top - Black glass  
**FORMAT-003**



Frame - Black metal +  
Top - Black oak  
**FORMAT-012**



Frame - Black metal +  
Top - White marble  
**FORMAT-020**

# NESTING CUBES

by BÖTTCHER & KAYSER



VILMERS  
vilmers.com

## NESTING CUBES by BÖTTCHER & KAYSER

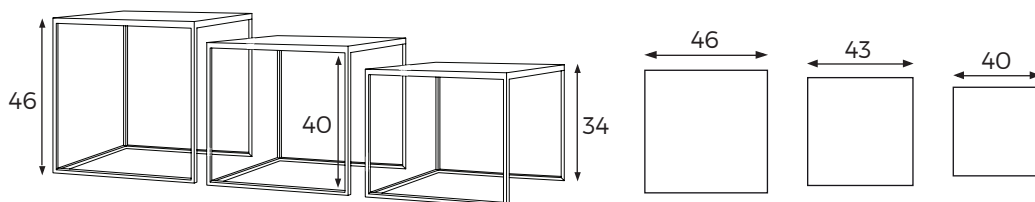
The side table **NESTING CUBES** consist of sets in different formats. The table can be placed space saving inside each other one above the other to save space. This creates an exciting play of interpenetration and superimposition. If the cubic metal frames are pulled apart, the storage area of the tables increases accordingly on different levels. The timeless-classic design fits into any living situation and is available in a variety of versions: The tables are available in three colors: white, black and dark green with table tops in matching colors, wood veneer (natural or stained black), marble (white or black) or glass (colored white, black or green).

## TECHNICAL DATA



**Example:** Frame - Black metal + Top - Black glass

### MEASUREMENTS



### COLOR / CODES



Frame - Black metal +  
Top - Black glass  
**NESTINGCUBES-001**



Frame - Black metal +  
Top - Black oak  
**NESTINGCUBES-005**

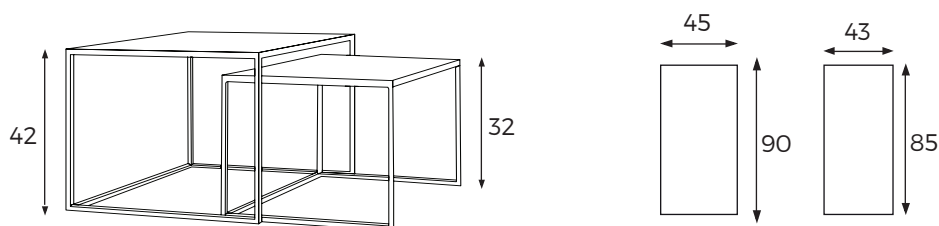


Frame - Black metal +  
Top - White marble  
**NESTINGCUBES-009**



**Example:** Frame - Black metal + Top - Black glass

### MEASUREMENTS



### COLOR / CODES



Frame - Black metal +  
Top - Black glass  
**NESTINGCUBES-004**



Frame - Black metal +  
Top - Black oak  
**NESTINGCUBES-008**



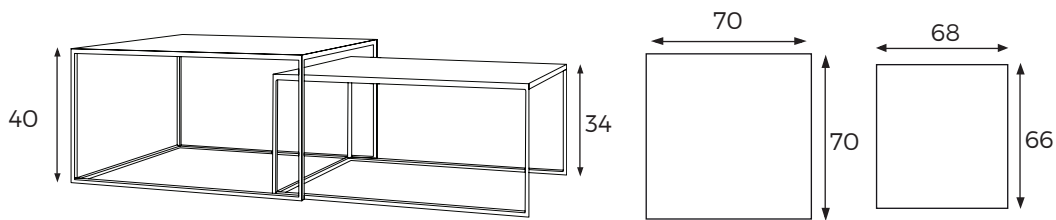
Frame - Black metal +  
Top - White marble  
**NESTINGCUBES-012**

## TECHNICAL DATA



**Example:** Frame - Black metal + Top - Black glass

### MEASUREMENTS



### COLOR / CODES



Frame - Black metal +  
Top - Black glass  
**NESTINGCUBES-002**



Frame - Black metal +  
Top - Black oak  
**NESTINGCUBES-006**

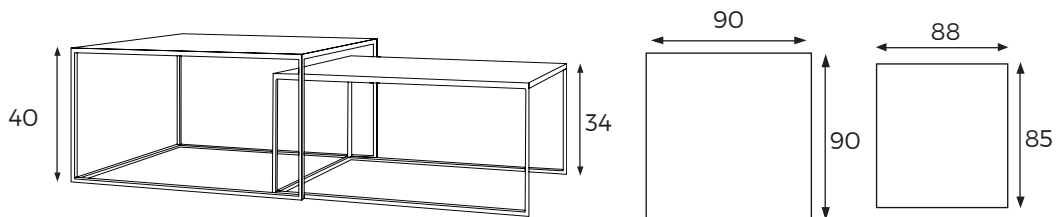


Frame - Black metal +  
Top - White marble  
**NESTINGCUBES-010**



**Example:** Frame - Black metal + Top - Black glass

### MEASUREMENTS



### COLOR / CODES



Frame - Black metal +  
Top - Black glass  
**NESTINGCUBES-003**



Frame - Black metal +  
Top - Black oak  
**NESTINGCUBES-007**



Frame - Black metal +  
Top - White marble  
**NESTINGCUBES-011**

# QUADRO

by BÖTTCHER & KAYSER



VILMERS  
vilmers.com



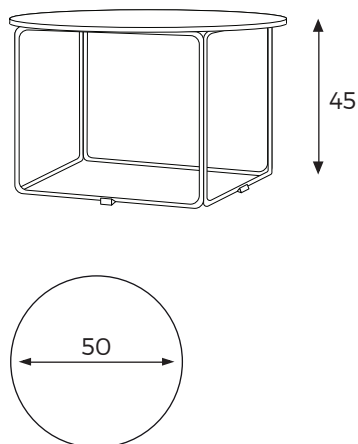
**QUADRO** is a family of three side tables of different sizes, which stand out due to their extravagant graphic design. Four identical loop frames with large corner radii made of bent wire form a filigree cube as a base frame. With its rounded corners, it appears soft, and the radii give it a floral touch. The frame is topped by a round tabletop - available in glass, wood or marble and in different colors. There is also a choice of three colors for the frame. Thanks to the different material and color combinations, QUADRO can vary greatly in appearance and thus offers the customer a great choice. The tables are available in black metal frame with matching coloured table tops: black oak, white marble or black glass.

## TECHNICAL DATA



**Example:** Frame - Black metal + Top - Black glass

### MEASUREMENTS



### COLOR / CODES



Frame - Black metal +  
Top - Black glass

**QUADRO-001**



Frame - Black metal +  
Top - Black oak

**QUADRO-004**



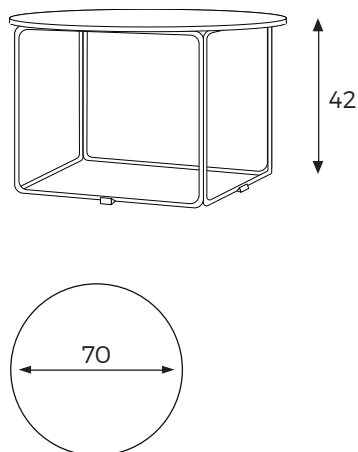
Frame - Black metal +  
Top - White marble

**QUADRO-007**



**Example:** Frame - Black metal + Top - Black glass

### MEASUREMENTS



### COLOR / CODES



Frame - Black metal +  
Top - Black glass

**QUADRO-002**



Frame - Black metal +  
Top - Black oak

**QUADRO-005**



Frame - Black metal +  
Top - White marble

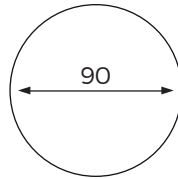
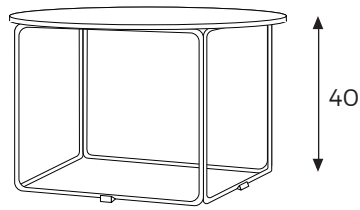
**QUADRO-008**

## TECHNICAL DATA



**Example:** Frame - Black metal + Top - Black glass

### MEASUREMENTS



### COLOR / CODES

● + ●  
Frame - Black metal +  
Top - Black glass  
**QUADRO-003**

● + ●  
Frame - Black metal +  
Top - Black oak  
**QUADRO-006**

● + ●  
Frame - Black metal +  
Top - White marble  
**QUADRO-009**

# VEIL

by BÖTTCHER & KAYSER



VILMERS  
vilmers.com



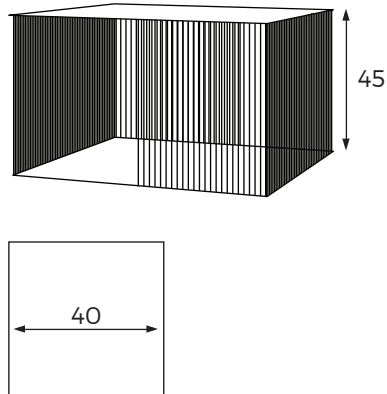
**VEIL** side table is a real eye-catcher, which plays with transparency in a graphic way by superimposing the sides of its corpus. A partially closed cube made of fine wire slats on the sides and plates as lid and base forms a corpus, that openness and closedness and transparency, depending on the perspective, allows or blocks the view into the interior. The view into the corpus changes from different perspectives and thus shows sometimes more and sometimes less what is inside. This is achieved by a multitude of thin metal rods that form a partially open corpus like fine vertical slats, with the tabletop and base of the table consisting of thin metal. The visual overlapping of the multiple lines that form the frame of the table, creates an exciting play of different transparencies, which, depending on the perspective, give more or less insight into the table. The tables are available in two colors: white and black.

## TECHNICAL DATA



Example: Black metal

### MEASUREMENTS



### COLOR / CODES



Frame and top - Black metal  
**VEIL-001**

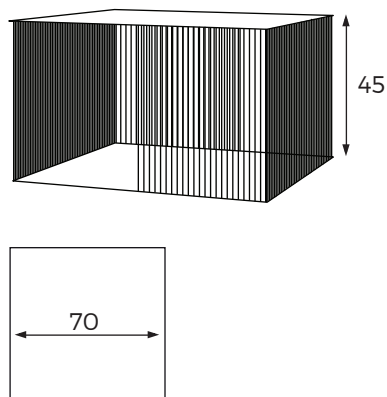


Frame and top - White metal  
**VEIL-004**



Example: Black metal

### MEASUREMENTS



### COLOR / CODES



Frame and top - Black metal  
**VEIL-002**

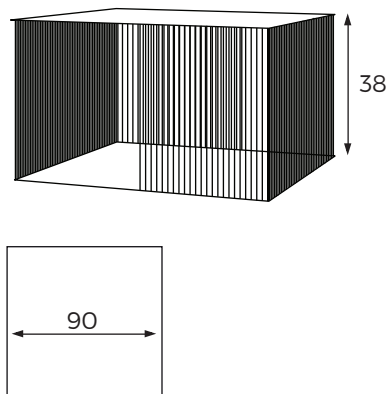


Frame and top - White metal  
**VEIL-005**



Example: Black metal

### MEASUREMENTS



### COLOR / CODES



Frame and top - Black metal  
**VEIL-003**



Frame and top - White metal  
**VEIL-006**